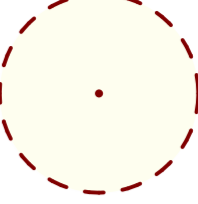
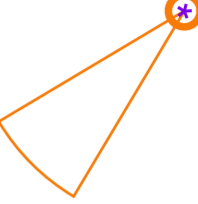

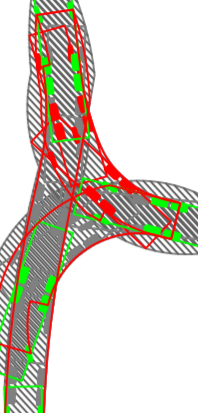
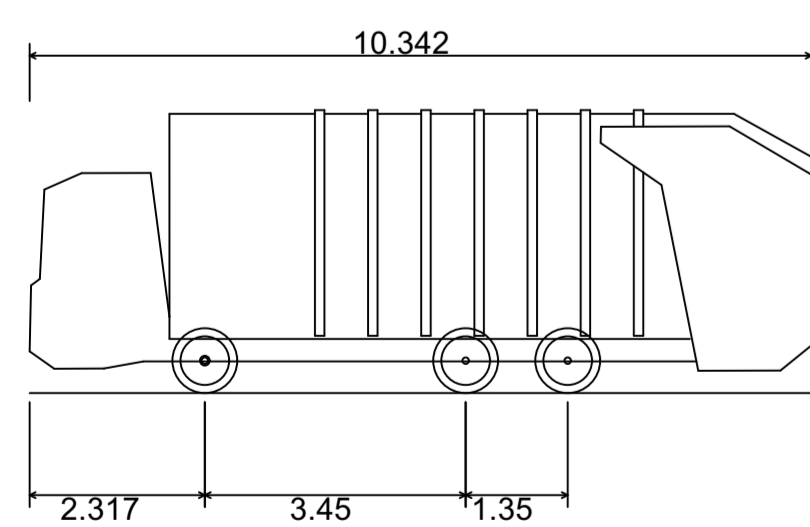
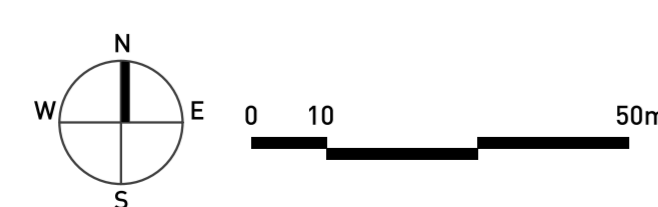


-  25M TRAVELLING DISTANCE FOR WASTE OPERATIVE MOVEMENT (INDICATIVE STOPPING POINTS SHOWN TO ILLUSTRATE POTENTIAL TO COLLECT FROM ALL DWELLINGS)
-  30M MAXIMUM DISTANCE FOR OCCUPIER MOVEMENT
-  BIN COLLECTION POINTS
-  REFUSE VEHICLE TRACKING



10.342m 2-15N (with Elite 2 6x2 MS chassis)  
 Overall Length 10.342m  
 Overall Width 2.450m  
 Overall Body Height 3.742m  
 Min Body Ground Clearance 0.295m  
 Track Width 2.450m  
 Lock to lock time 4.00s  
 Kerb to Kerb Turning Radius 9.500m



ISSUE FOR INFORMATION ONLY

LAND EAST OF ASHINGDON ROAD, ROCHFORD - PHASE 2 & 3 REFUSE STRATEGY PLAN